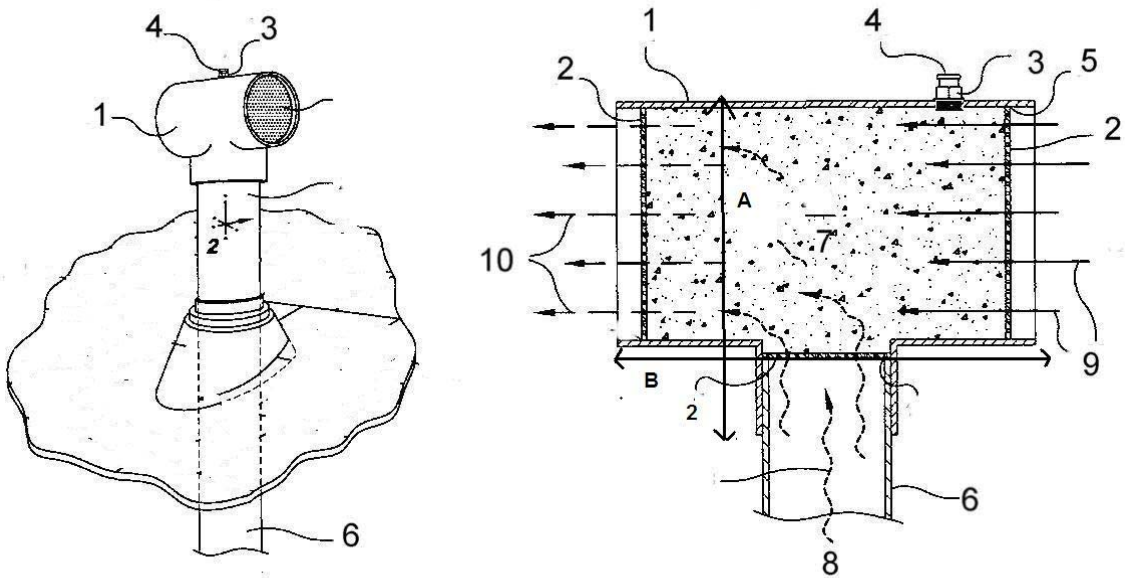


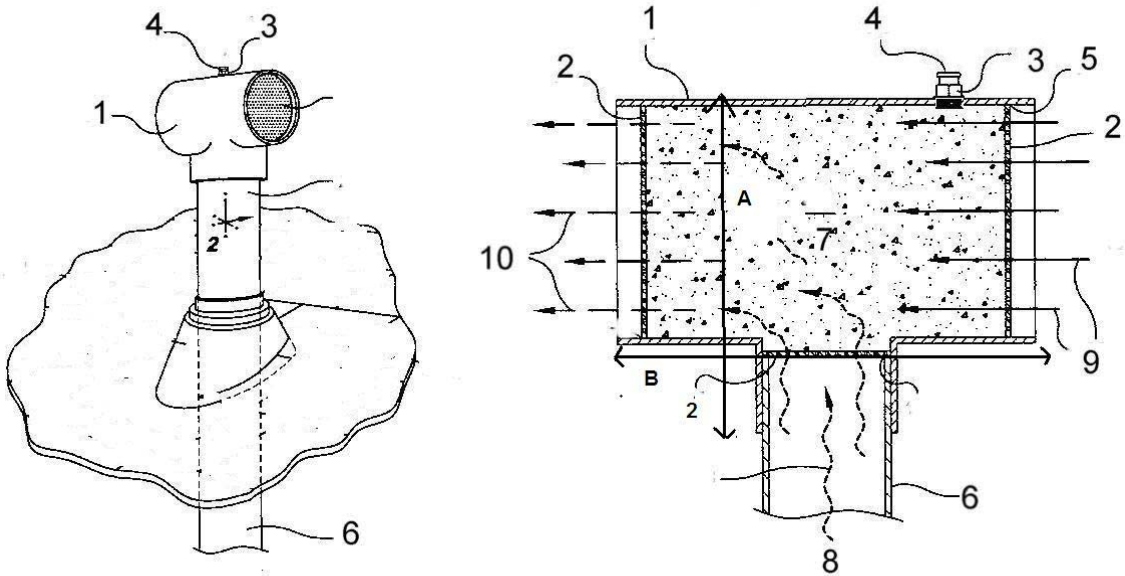
<p>This drawing contains information proprietary to Simple Solutions Dist LLC It is submitted in confidence and is to be used solely for the purpose for which it is furnished. This drawing and such information is not to be reproduced, transmitted, disclosed or used otherwise in whole or in part without the written authorization of Simple Solutions Dist LLC</p>			
<p>Simple Solutions Dist LLC. 6 Jacobs Road West Milford NJ 07480</p>			
Drawn 4/4/07	By: LJP	Scale: Not to Scale	Rev. As Built
<p>Super Wolverine 8 LB Activated Carbon Vent Pipe "T" Adsorbers 3" Socket Coupling ASTM D2665 Standard</p>			



1. Wolverine Brand Activated Carbon Adsorber
2. Perforated disc used to contain the filter media. Made of 1/8" Gray PVC Stock with 1/8" holes on 3/16" staggered center. Provides 40% open space.
3. Drain Plug for carbon replacement.
4. Saturation Indicator Mounting Port. 3/4 NPT. Perforated disc used to contain the filter media. Made of 1/8" Gray PVC Stock with 1/8" holes on 3/16" staggered center. Provides 40% open space. Attached to main housing by weld.
5. Perforated disc used to contain the filter media. Made of 1/8" Gray PVC Stock with 1/8" holes on 3/16" staggered center. Provides 40% open space.
6. Typical atmospheric vent from sewer lift station holding tank
7. Filter Media
8. Odorous gasses entering adsorber
9. Fresh air entering media chamber
10. Filtered air

A= Overall height	9.25 inches
B=Overall length	10.70 inches
Overall Width	7 inches
Carbon Capacity	8 LBS.
Type of Carbon	Sulfursorb Catalytic Carbon Pelletized
Coupling style	3" Socket ASTM D 2665 Standard

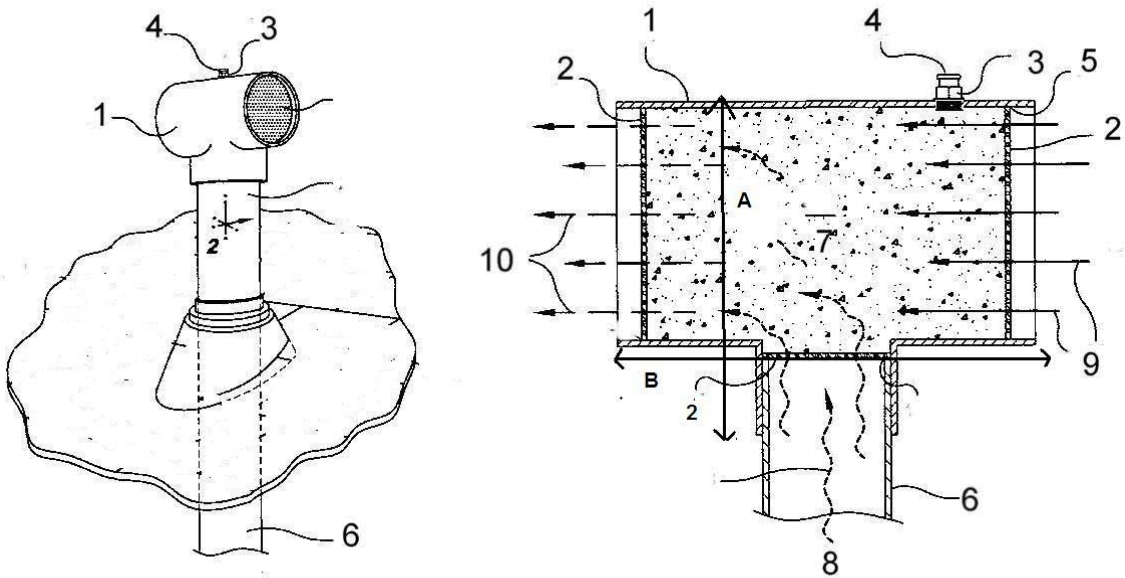
<p>This drawing contains information proprietary to Simple Solutions Dist LLC It is submitted in confidence and is to be used solely for the purpose for which it is furnished. This drawing and such information is not to be reproduced, transmitted, disclosed or used otherwise in whole or in part without the written authorization of Simple Solutions Dist LLC</p>			
<p>Simple Solutions Dist LLC. 6 Jacobs Road West Milford NJ 07480</p>			
Drawn 4/4/07	By: LJP	Scale: Not to Scale	Rev. As Built
<p>Super Wolverine 8 LB Activated Carbon Vent Pipe "T" Adsorbers 4" Socket Coupling ASTM D2665 Standard</p>			



1. Wolverine Brand Activated Carbon Adsorber
2. Perforated disc used to contain the filter media. Made of 1/8" Gray PVC Stock with 1/8" holes on 3/16" staggered center. Provides 40% open space.
3. Drain Plug for carbon replacement.
4. Saturation Indicator Mounting Port. 3/4 NPT. Perforated disc used to contain the filter media. Made of 1/8" Gray PVC Stock with 1/8" holes on 3/16" staggered center. Provides 40% open space. Attached to main housing by weld.
5. Perforated disc used to contain the filter media. Made of 1/8" Gray PVC Stock with 1/8" holes on 3/16" staggered center. Provides 40% open space.
6. Typical atmospheric vent from sewer lift station holding tank
7. Filter Media
8. Odorous gasses entering adsorber
9. Fresh air entering media chamber
10. Filtered air

A= Overall height	9.25 inches
B=Overall length	12 inches
Overall Width	7 inches
Carbon Capacity	8 LBS.
Type of Carbon	Sulfursorb Catalytic Carbon Pelletized
Coupling style	4" Socket coupling ASTM D 2665 standard

<p>This drawing contains information proprietary to Simple Solutions Dist LLC It is submitted in confidence and is to be used solely for the purpose for which it is furnished. This drawing and such information is not to be reproduced, transmitted, disclosed or used otherwise in whole or in part without the written authorization of Simple Solutions Dist LLC</p>			
<p>Simple Solutions Dist LLC. 6 Jacobs Road West Milford NJ 07480</p>			
Drawn 4/4/07	By: LJP	Scale: Not to Scale	Rev. As Built
<p>Super Wolverine 8 LB Activated Carbon Vent Pipe "T" Adsorbers 6" Socket Coupling ASTM D2665 Standard</p>			



1. Wolverine Brand Activated Carbon Adsorber
2. Perforated disc used to contain the filter media. Made of 1/8" Gray PVC Stock with 1/8" holes on 3/16" staggered center. Provides 40% open space.
3. Drain Plug for carbon replacement.
4. Saturation Indicator Mounting Port. 3/4 NPT. Perforated disc used to contain the filter media. Made of 1/8" Gray PVC Stock with 1/8" holes on 3/16" staggered center. Provides 40% open space. Attached to main housing by weld.
5. Perforated disc used to contain the filter media. Made of 1/8" Gray PVC Stock with 1/8" holes on 3/16" staggered center. Provides 40% open space.
6. Typical atmospheric vent from sewer lift station holding tank
7. Filter Media
8. Odorous gasses entering adsorber
9. Fresh air entering media chamber
10. Filtered air

A= Overall height	10.5 inches
B=Overall length	14inches
Overall Width	7 inches
Carbon Capacity	10 LBS.
Type of Carbon	Sulfursorb Catalytic Carbon Pelletized
Coupling style	6" Socket coupling ASTM D 2665 standard