

This drawing contains information proprietary to Simple Solutions Distributing ,LLC
It is submitted in confidence and is to be used solely for the purpose for which it is
furnished. This drawing and such information is not to be reproduced, transmitted,
disclosed or used otherwise in whole or in part without the written authorization of
Simple Solutions Distributing, LLC

Simple Solutions Distributing LLC

6 Jacobs Road West Milford, NJ 07480 1-866-667-8465

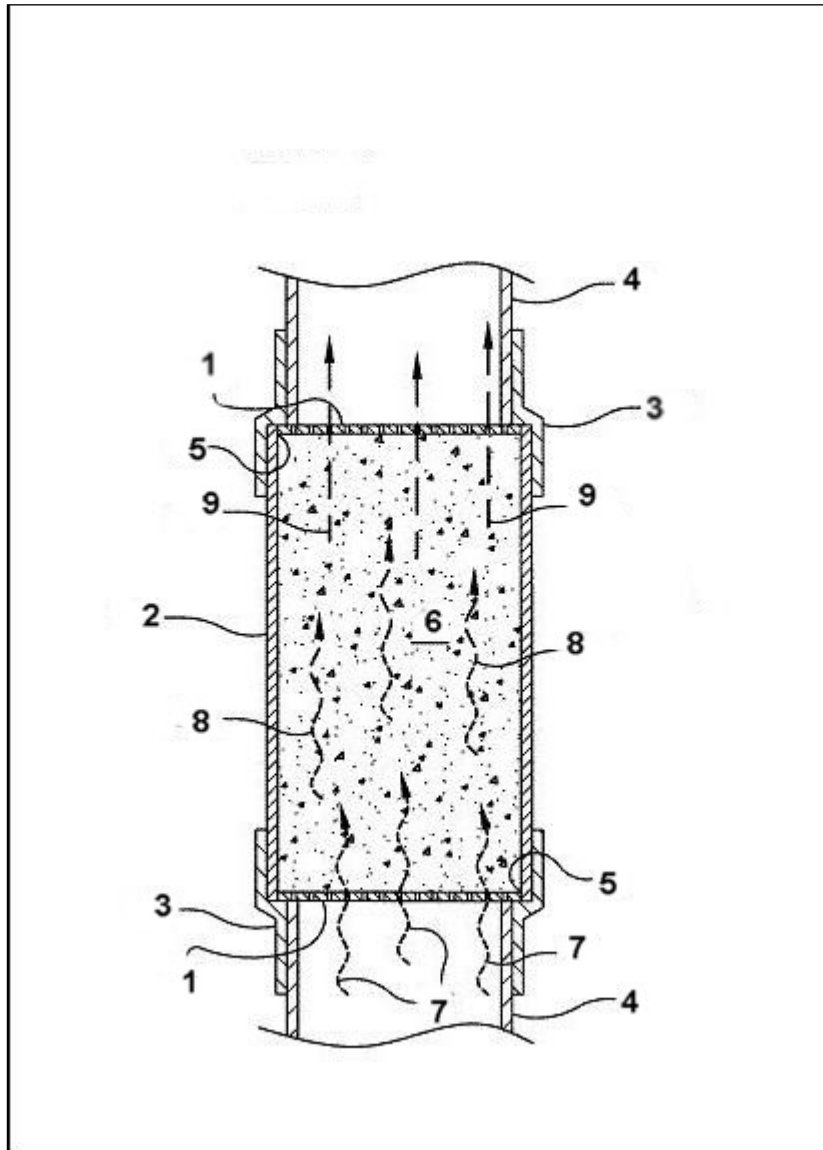
Drawn 3/18/07

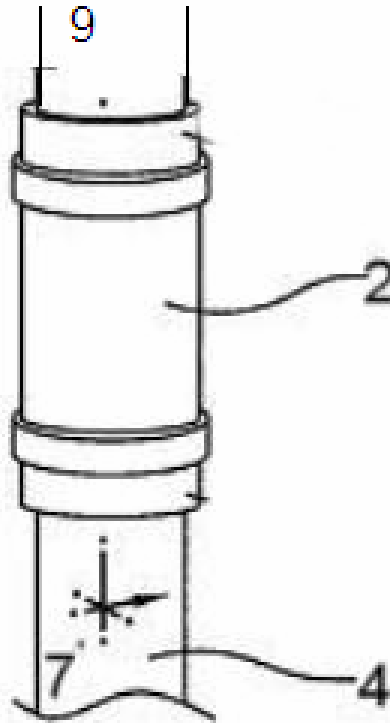
By: LJP

Scale: Not to Scale

Rev. As Built

Typical Inline Wolverine Adsorber





Description

1. Perforated disc used to contain the filter media. Made of 1/8" Gray PVC Stock with 1/8" holes on 3/16" staggered center. Provides 40% open space.
2. Main Body of the Adsorber housing.
3. Coupling used to attach adsorber to vent pipe.
4. Typical vent pipe
5. Method of attaching perforated disc to filter assembly is press fit.
6. Filter Media
7. Odorous gasses entering adsorber housing
8. Partially Scrubbed (filtered) air stream.
9. Air stream free of odorous gasses. Note: Saturation Indicator can be mounted in scrubbed air stream for carbon bed monitoring.